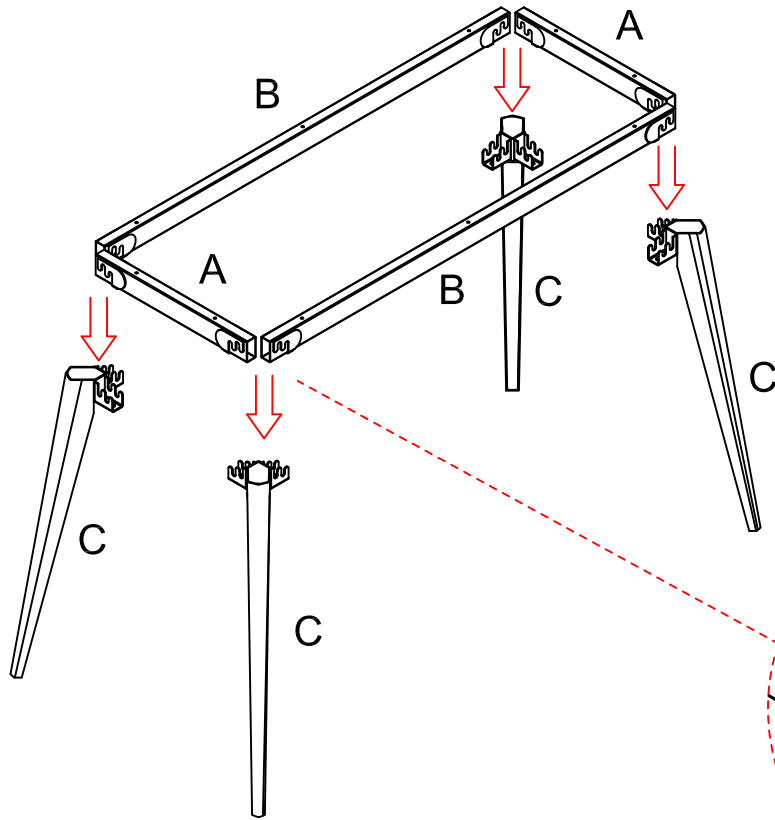
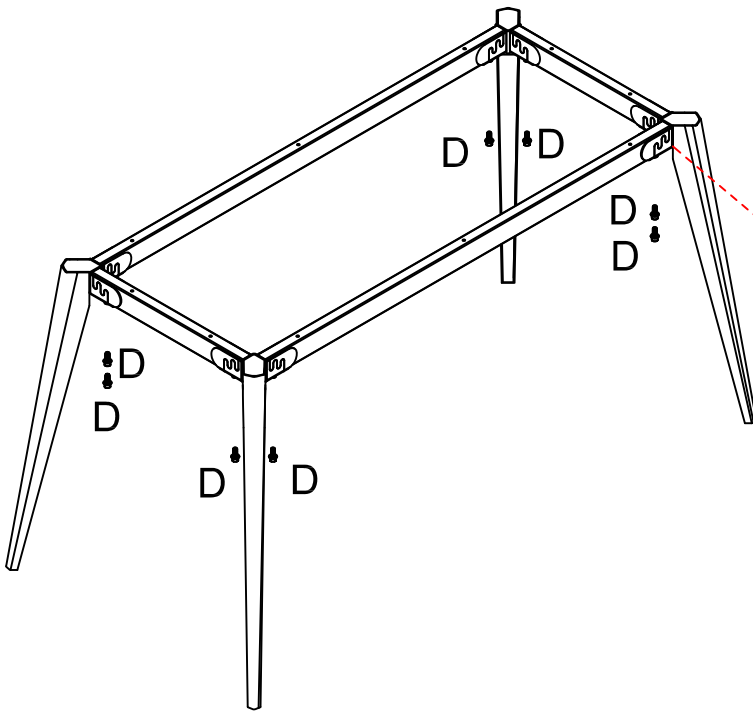


NY-A385_Assembling Instruction

Step 1



Step 2



Installation Complete

